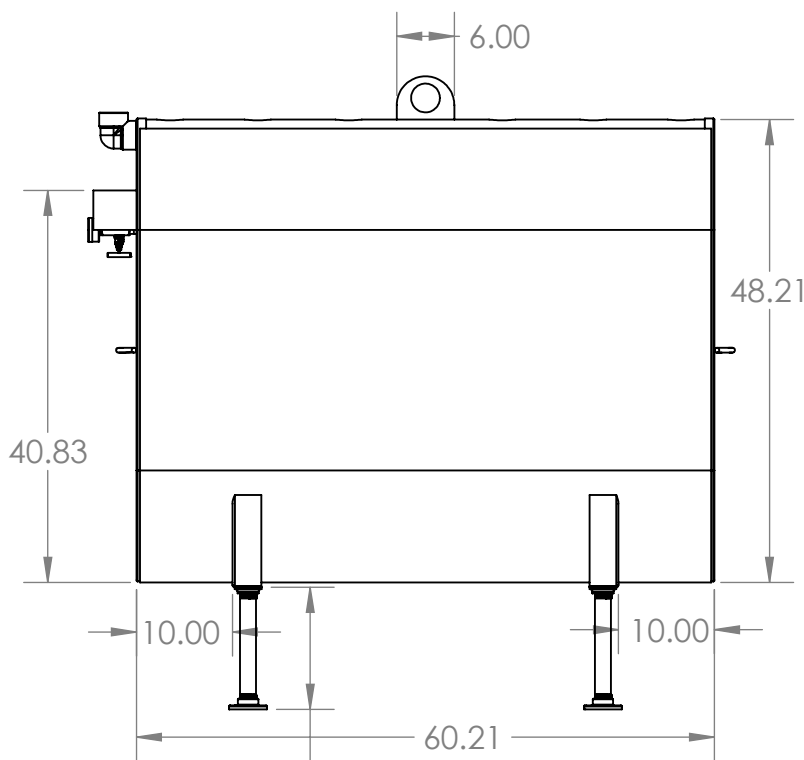
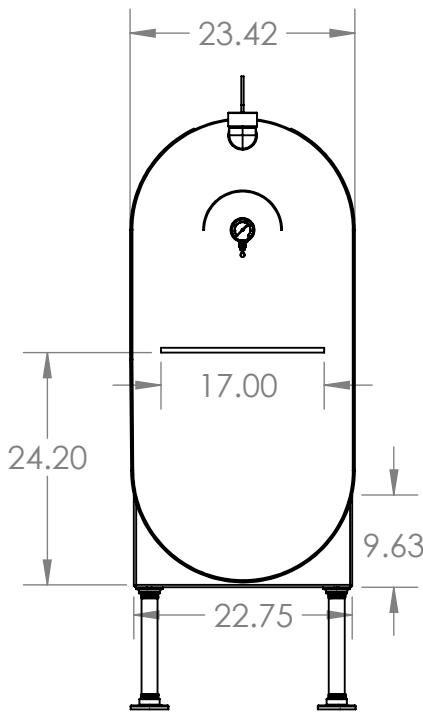


2

1

B

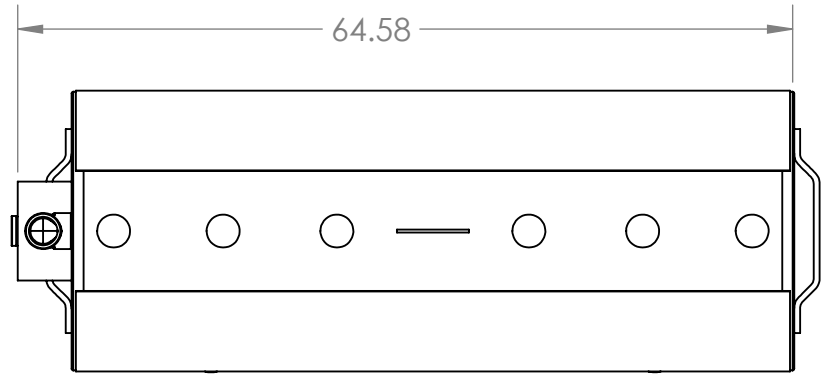
B



12.70 Max 12" Pipe Nipples to be used

A

A



All Dimensions are Inches and Approximate

TITLE: 960L 200Gal 5ft
Double Wall Vacuum
Monitored Tank

SIZE	DWG. NO.	REV
A		
SCALE: 1:32	WEIGHT:	SHEET 1 OF 2

2

1

2

1

B

B

2" NPT Ports for Venting, Filling Etc.
Number of openings and spacings between openings are flexible as per customer preferences. Opening spacing can be made to fit piping on old tank.

Lifting Lug

Primary Tank Shell.
Only one thickness of shell material on this portion of the tank.

Secondary Containment Shell.
Wrapped 300 Degrees, there are two shell thicknesses on this portion of the tank.

Interstitial Space Emergency Vent

Guage Protection Guard

Vacuum Monitoring Guage

Carry Handle

Leg Support Saddles.
Designed to be used with or without pipe legs.

Pipe Legs

Floor Flange

A

A

TITLE:
ISO View

SIZE	DWG. NO.	REV
A		
SCALE: 1:32		WEIGHT:
		SHEET 2 OF 2

2

1