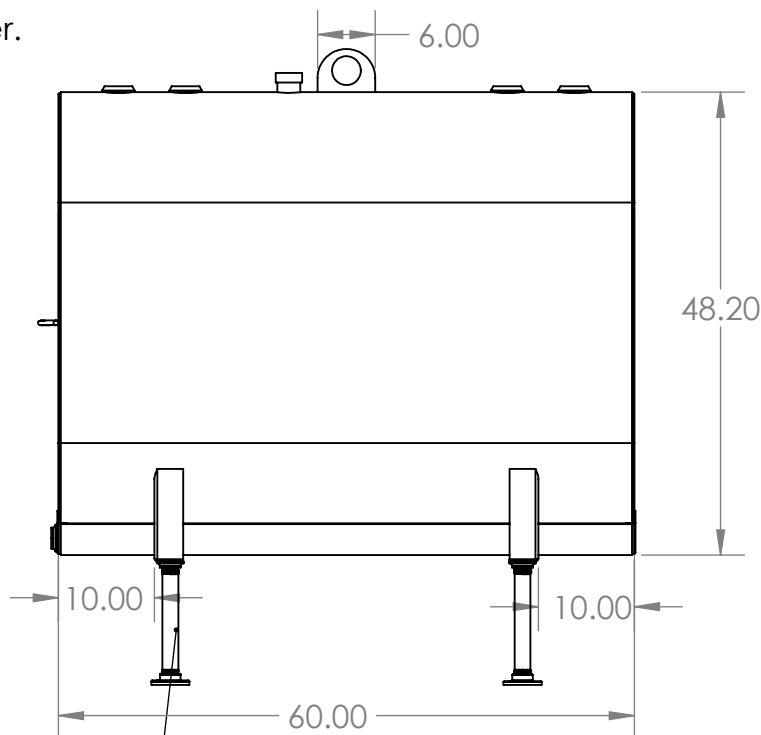
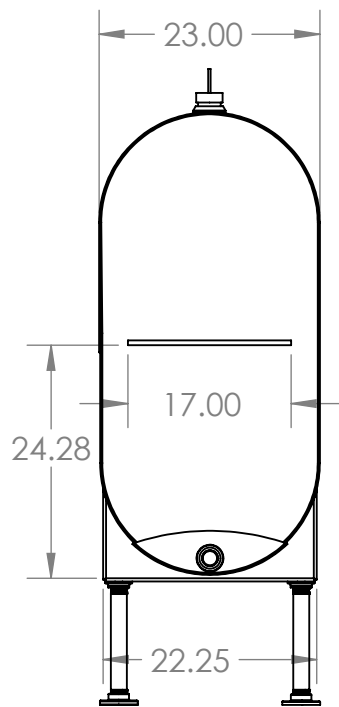


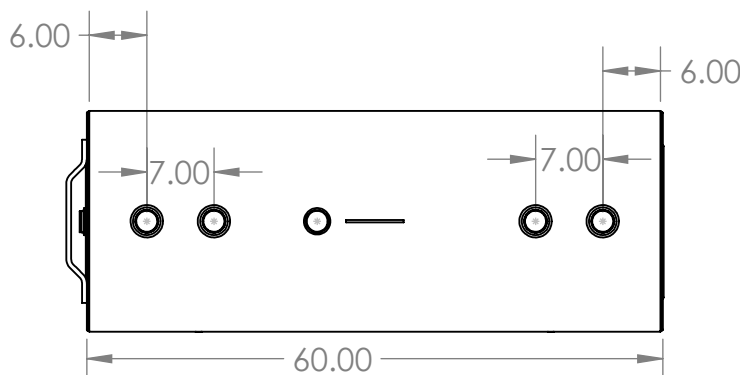
2

1

Drawing for General Informational Purposes. Actual Product may differ.



Opening spacing can vary



1.25" Pipe Legs. Max 12" long

All Dimensions in Inches and Approximate

TITLE:
**960L 200Gal 5ft
 Double Bottom Tank**

SIZE	DWG. NO.	REV
A		
SCALE: 1:32	WEIGHT:	SHEET 1 OF 2

B

B

A

A

2

1

2

1

2" NPT Ports for Venting, Filling Etc.
Number of openings and spacings between openings are flexible as per customer preferences. Opening spacing can be made to fit piping on old tank.

Double Bottom Interstice monitor pipe.

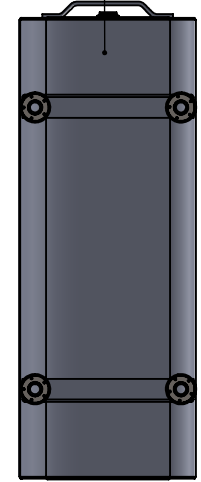
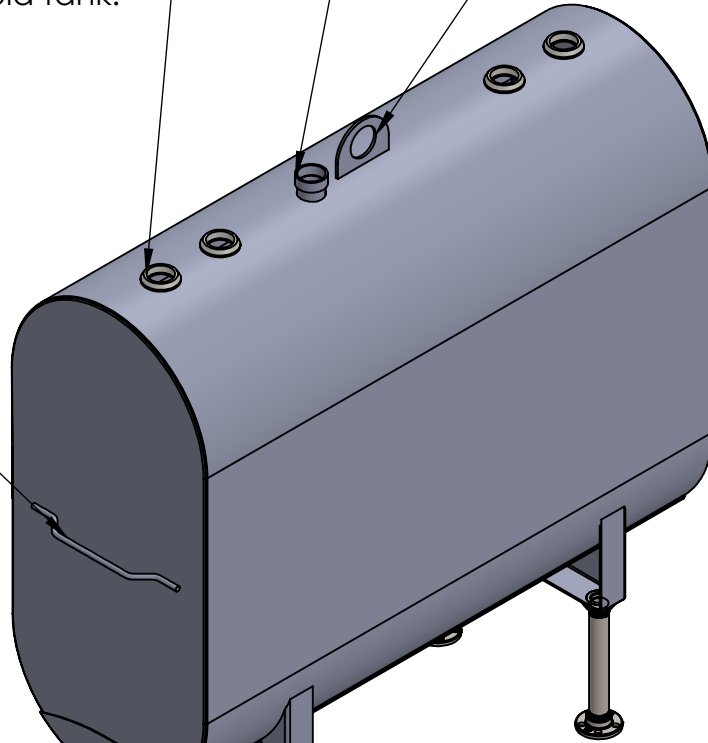
Optional Lifting Lug

Double Bottom Shell. Two thicknesses of steel in this area.

B

B

Carry Handle



Bottom View of Tank

Bottom Feed or Drain Port

Leg Support Saddles. Designed to be used with or without pipe legs

Floor Flange

Pipe Leg. Max 12" long

A

A

TITLE:

ISO and Bottom View

SIZE
A

DWG. NO.

REV

SCALE: 1:32 WEIGHT:

SHEET 2 OF 2

2

1