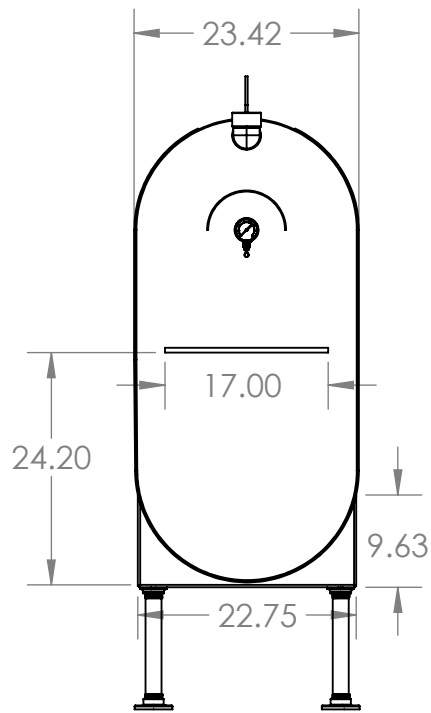
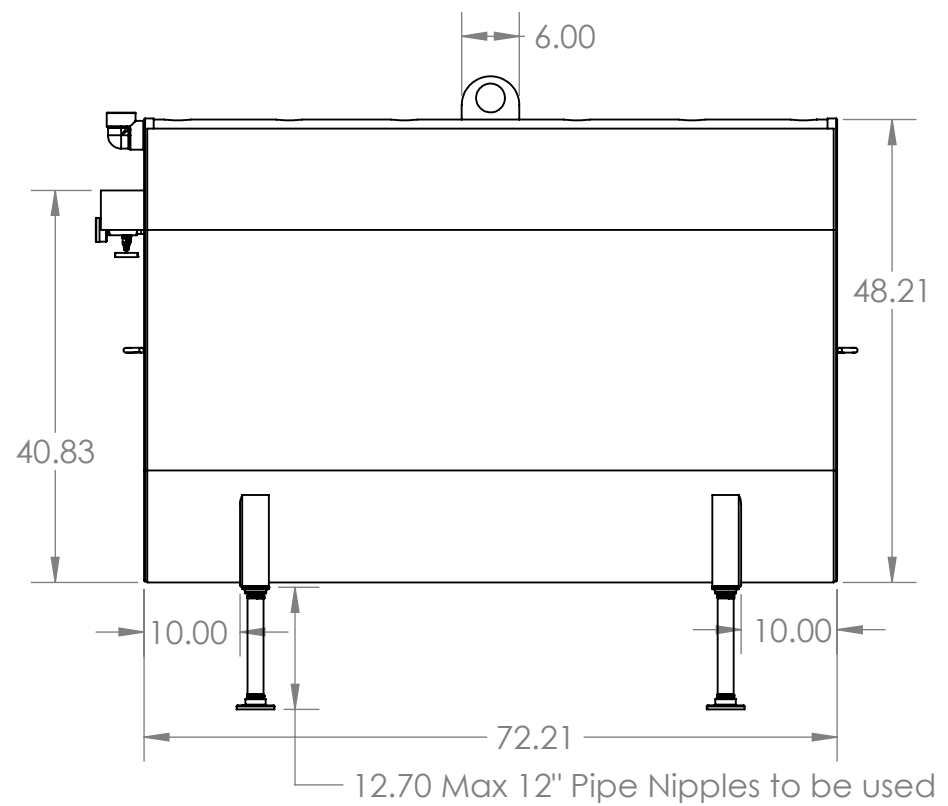


B

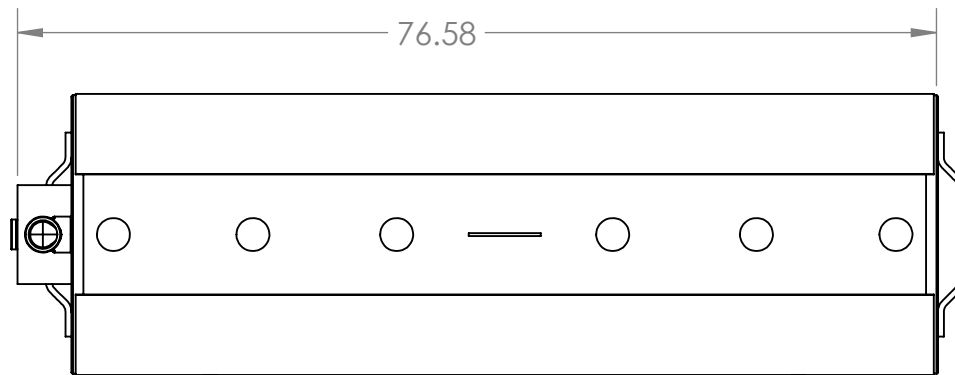


1



B

A



A

2

1

All Dimensions are Inches and Approximate

TITLE: 1160 L 250Gal 6ft  
Double Wall Vacuum  
Monitored Tank

SIZE	DWG. NO.	REV
<b>A</b>		

SCALE: 1:32	WEIGHT:	SHEET 1 OF 3
-------------	---------	--------------

2

1

B

B

A

A

2" NPT Ports for Venting, Filling Etc.  
Number of openings and spacings between openings are flexible as per customer preferences. Opening spacing can be made to fit piping on old tank.

Lifting Lug

Primary Tank Shell.  
Only one thickness of shell material on this portion of the tank.

Secondary Containment Shell.  
Wrapped 300 Degrees, there are two shell thicknesses on this portion of the tank.

Interstitial Space Emergency Vent

Guage Protection Guard

Vacuum Monitoring Guage

Carry Handle

Leg Support Saddles.  
Designed to be used with or without pipe legs.

Pipe Legs

Floor Flange

TITLE:

ISO View

SIZE

DWG. NO.

REV

**A**

SCALE: 1:32

WEIGHT:

SHEET 2 OF 3

2

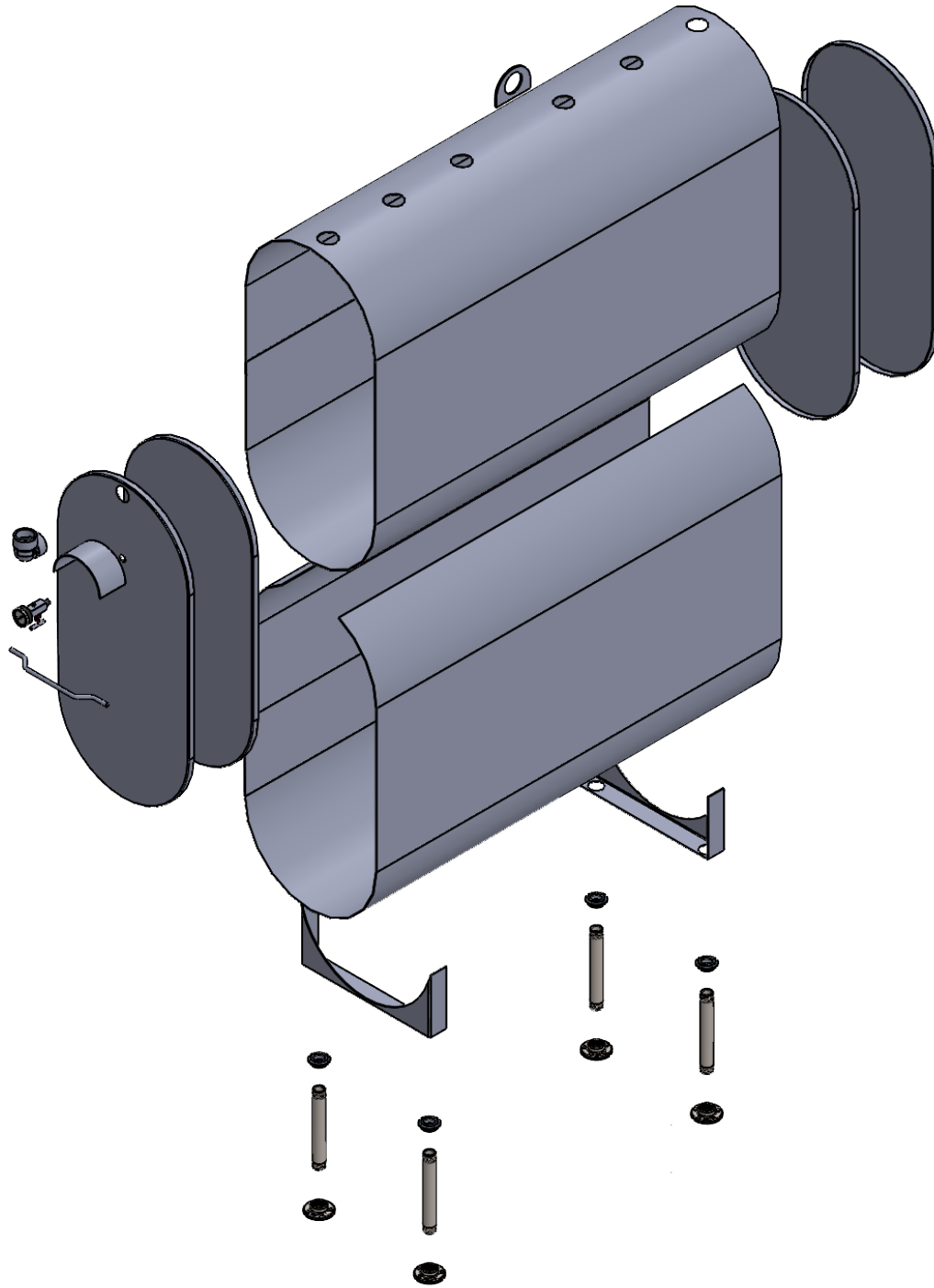
1

2

1

B

B



A

A

2

1

TITLE:

Exploded View

SIZE

DWG. NO.

REV

**A**

SCALE: 1:50 WEIGHT:

SHEET 3 OF 3